

NEW RANGE OF ELECTRIC STORAGE HEATER

ANDRIS LUX SERIES



Made in Italy, rated at 1500W, 8 bar

**NEW modern and elegant design “ANDRIS”
was created by the designer Umberto
Palermo.**



APPEARANCE

ELEGANCE & EFFICIENCY

- **Elegant aesthetic**
- **User friendliness** thanks to the frontal control
- **Titanium enameled tank** for a stronger durability



HMI

1. **Regulation knob** allows to set the temperature of customers' comfort. "E" knob positioning: optimization of comfort and energy saving.
2. **Heating lamp** shows that the heating cycle is in progress.

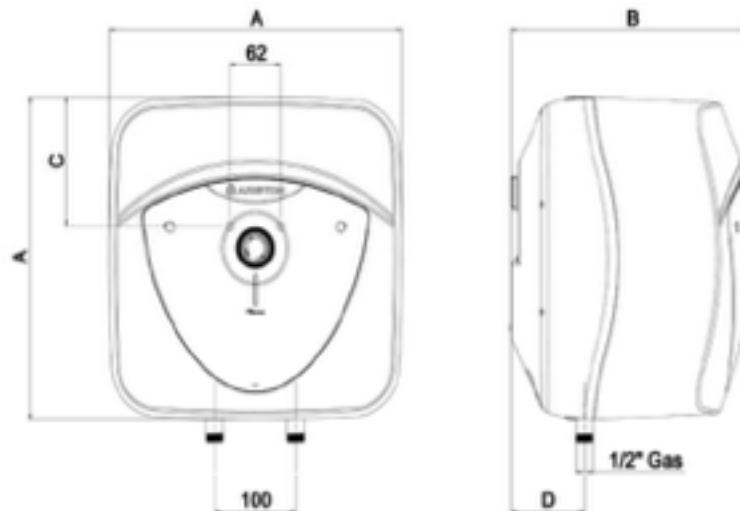


A new design
for brand
distinctiveness
and
global family line

DIMENSIONS



	ANDRIS LUX 15 1.5KW	ANDRIS LUX 30 1.5KW
A mm	360	447
B mm	385	476
C mm	360	447
D mm	346	410

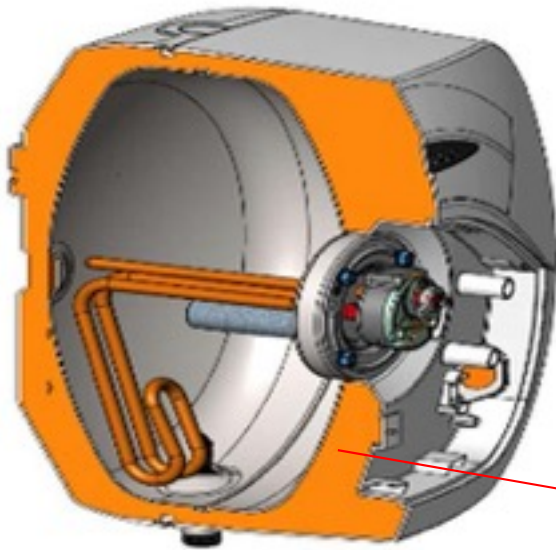


MOD.	10	15	30
A	360	360	447
B	298	346	410
C	144	144	165
D	92	78	114

SPECIFICATIONS DATA

		ANDRIS LUX 15 1.5KW	ANDRIS LUX 30 1.5KW
Capacity	Litres	15	30
Power	W	1500	1500
Voltage	V	230	230
Heating time ($\Delta T=45^{\circ}\text{C}$)	h;min	0:36	0:70
Max working temperature	$^{\circ}\text{C}$	78	78
Max. Working pressure	bar	8	8
Net Weight	Kg	7.5	11.2
Heating element	Material	Copper	Copper

NEW FEATURES



Guarantees longer life to the internal water tank against water corrosion effect.



High Density heat insulation for energy saving

Full polyurethane foam internally for better insulation, less heat dissipation.

NEW FEATURES



- 1. Regulation knob allows to set the temperature of customers' comfort. "E" knob positioning: optimization of comfort and energy saving.**
- 2. Heating lamp shows that the heating cycle is in progress.**